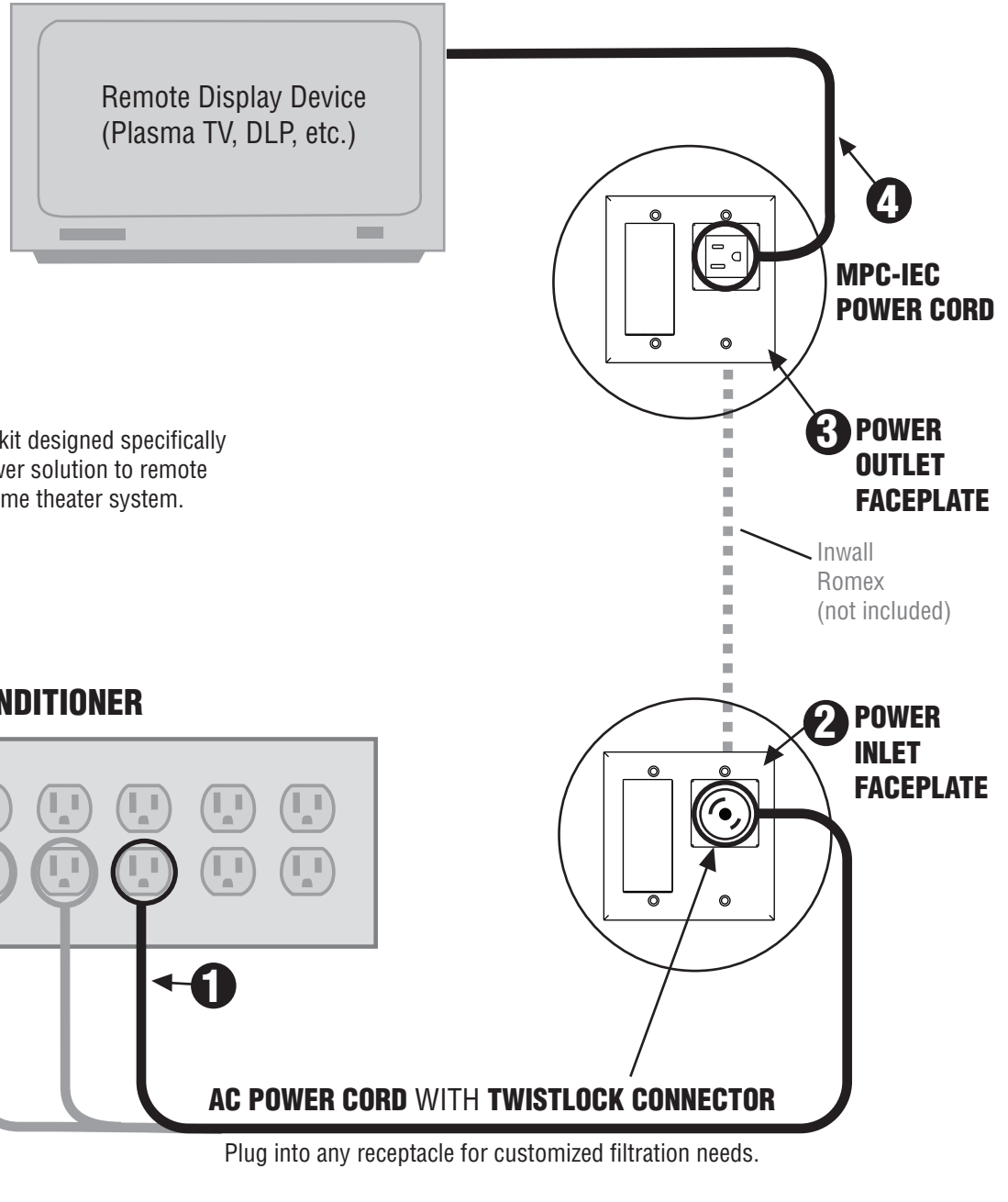
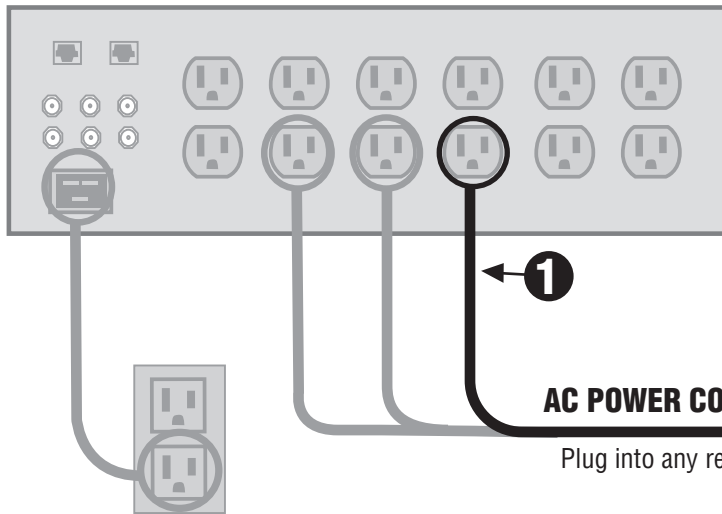


Furman POWERKIT-TL Installation Instructions



POWERKIT-TL A four part kit designed specifically to provide the ultimate power solution to remote display devices within a home theater system.

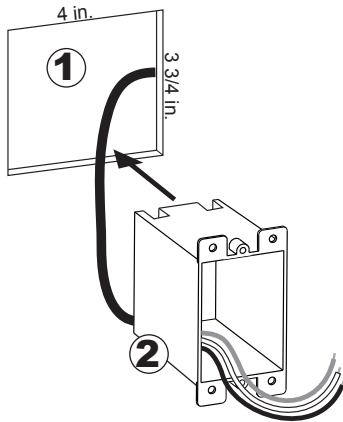
FURMAN POWER CONDITIONER



- 1. AC POWER CORD:** This 10 ft. power cord is engineered to provide optimum power transfer, and shield-out performance robbing noise.
- 2. POWER INLET FACEPLATE:** The unique twist-lock connector mates with the AC POWER CORD to provide a safe, secure and listing agency compliant installation. The modular signal connection allows for a variety of installation options.
- 3. POWER OUTLET FACEPLATE:** This modular interface has added noise filtration to eliminate any unwanted radiated interference.
- 4. POWER CORD (MPC-IEC):** 24 inch IEC power cord.

Power Inlet Faceplate Installation Instructions

CAUTION: Not for use in "Fire-Break" walls unless used in conjunction with signal-line modules!



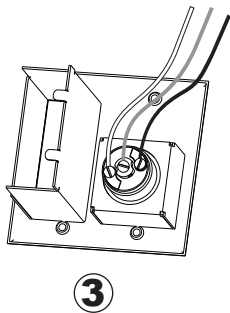
STEP 1:

Select a location close to the head-end source equipment. Cut a 4-inch wide by 3 3/4-inch high hole in the wall. Feed the in wall Romex power cable (not included) through this opening and route them to the location of the Power Outlet Faceplate.

NOTE: For new construction (pre-wire): Use a Carlon new-work electrical box (Model B122A). A Carlon low voltage add-on bracket (Model SC100SC) may be used with the new-work box to indicate the location and size of the opening needed in the drywall. The low-voltage bracket may be left in place when installing the Inlet faceplate.

STEP 2:

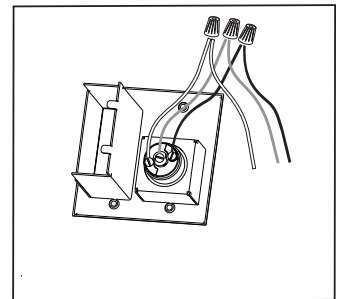
Run the AC wires through the lower-left entry of the included outlet box. No more than 1-inch of wire sheath should extend into the outlet box. 3-inches of wire should be able to extend beyond the opening of the outlet box. Install the outlet box into the right side of the hole.



STEP 3:

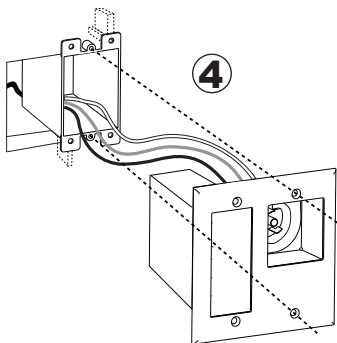
Slide the included shrink-wrap tubing over the ground wire if it is un-insulated. Strip 3/4-inch of insulation off the AC wires and attach them to the twist-lock connector screw terminals. Make sure to attach the wires to the correct terminal:

- Green/Ground wire to Center terminal with Green screw
- White wire to Silver terminal
- Black wire to Copper terminal



NOTE:

To make installation easier, first connect the included jumpers to the Twistlock Receptacle, then use the included wire nuts to connect the jumpers to the building wire. 14 gauge wire is flexible enough to omit the jumpers. Just strip 1/4" of insulation off the AC wires and attach to the screw terminals as labeled on the receptacle. NOTE: Only for use with 15 Amp branch circuits utilizing 14 or 12 gauge wire. NOTE: Wire nuts are not recommended for high-current applications such as powered subwoofers.



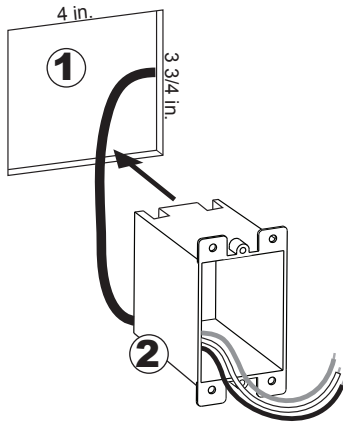
STEP 4:

Neatly fold the AC wires as you install the inlet faceplate into the wall with the AC side fitting into the outlet box. Secure the unit to the outlet box with the included screws.

NOTE: Only the right side screws are used to mount the inlet faceplate into the included outlet box. The left side screws are for appearance only and are held on with the included plastic washers. All four screws are used when mounting the protector to a new-work electrical box and low voltage add-on bracket.

Power Outlet Faceplate Installation Instructions

CAUTION: Not for use in "Fire-Break" walls!



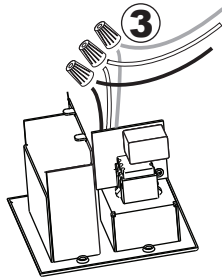
STEP 1:

Select a location close to the display device (Plasma TV, DLP, etc.). In the case of a wall-mounted Plasma TV, this may be behind the display device and totally hidden from view once the Plasma TV is mounted. Cut a 4-inch wide by 3 3/4-inch high hole in the wall for the in wall power cable (not included) and signal wires (not included).

NOTE: For new construction (pre-wire): Use a Carlon new-work electrical box (Model B122A). A Carlon low voltage add-on bracket (Model SCIOOSC) may be used to indicate the size and location of the opening needed in the drywall. The low-voltage bracket may be left in place when installing the outlet faceplate.

STEP 2:

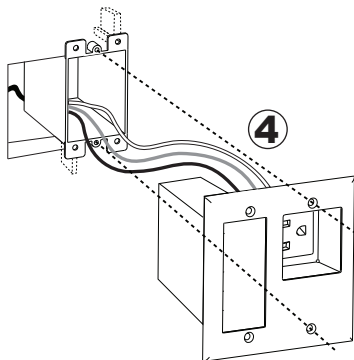
Run the AC wires through the lower-left entry of the included outlet box. No more than 1 inch of wire sheath should extend into the outlet box. 3 inches of wire should be able to extend beyond the opening of the outlet box. Install the outlet box into the right side of the hole.



STEP 3:

Slide the included shrink-wrap tubing over the ground wire to prevent contact with the circuit board. Use the included wire nuts to connect the wires.

Note: Wire nuts not recommended for high current applications such as powered subwoofers.



STEP 4:

Neatly fold the AC wires as you install the outlet faceplate into the wall with the AC side fitting into the outlet box. Secure the unit to the outlet box with the included screws.

NOTE: Only the right side screws are used to mount the inlet faceplate into the included outlet box. The left side screws are for appearance only and are held on with the included plastic washers. All four screws are used when mounting the protector to a new-work electrical box and low voltage add-on bracket.

Furman PowerKit-TL Product Warranty

LIMITED THREE YEAR WARRANTY

Furman Sound, Inc., having its principal place of business at 1690 Corporate Circle., Petaluma, CA 94954 ("Manufacturer") warrants its PowerKit-TL (the "Product") as follows:

Manufacturer warrants to the original Purchaser of the Product that the Product sold hereunder will be free from defects in material and workmanship for a period of three years from the date of purchase. The Purchaser of the product is allowed fifteen days from the date of purchase to complete warranty registration by mail or on-line at the Furman website. If the Product does not conform to this Limited Warranty during the warranty period (as herein above specified), Purchaser shall notify Manufacturer in writing of the claimed defects. If the defects are of such type and nature as to be covered by this warranty, Manufacturer shall authorize Purchaser to return the Product to the Furman factory or to an authorized Furman repair location. Warranty claims should be accompanied by a copy of the original purchase invoice showing the purchase date; this is not necessary if the Warranty Registration was completed either via the mailed in warranty card or on-line website registration. Shipping charges to the Furman factory or to an authorized repair location must be prepaid by the Purchaser of the product. Manufacturer shall, at its own expense, furnish a replacement Product or, at Manufacturer's option, repair the defective Product. Return shipping charges back to Purchaser will be paid by Manufacturer.

THE FOREGOING IS IN LIEU OF ALL OTHER WARRANTIES, EXPRESS OR IMPLIED, INCLUDING BUT NOT LIMITED TO THE IMPLIED WARRANTIES OF MERCHANTABILITY AND FITNESS FOR A PARTICULAR PURPOSE. Manufacturer does not warrant against damages or defects arising out of improper or abnormal use of handling of the Product; against defects or damages arising from improper installation, against defects in products or components not manufactured by Manufacturer, or against damages resulting from such non-Manufacturer made products or components. This warranty shall be cancelable by Manufacturer at its sole discretion if the product is modified in any way without written authorization from Furman Sound. This warranty also does not apply to Products upon which repairs have been affected or attempted by persons other than pursuant to written authorization by Manufacturer.

THIS WARRANTY IS EXCLUSIVE. The sole and exclusive obligation of Manufacturer shall be to repair or replace the defective Product in the manner and for the period provided above. Manufacturer shall not have any other obligation with respect to the Products or any part thereof, whether based on contract, tort, strict liability or otherwise. Under no circumstances, whether based on this Limited Warranty or otherwise, shall Manufacturer be liable for incidental, special, or consequential damages. Manufacturer's employees or representatives' ORAL OR OTHER WRITTEN STATEMENTS DO NOT CONSTITUTE WARRANTIES, shall not be relied upon by Purchaser, and are not a part of the contract for sale or this limited warranty. This Limited Warranty states the entire obligation of Manufacturer with respect to the Product. If any part of this Limited Warranty is determined to be void or illegal, the remainder shall remain in full force and effect.